

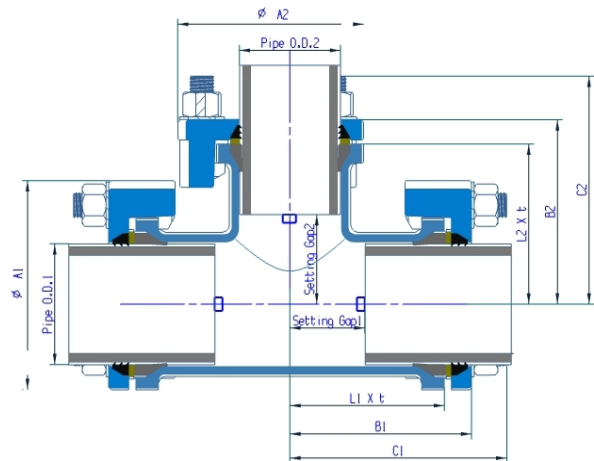
# Bolted Mechanical fittings

## Steel Lock series

### Reducing Tee



Plain End to Plain End



### Main Dimensions

Unit: mm

Size	Pipe O.D. (HIVP*)		Fitting Overall						Body			Weight
	Large	Small	A1	A2	B1	B2	C1	C2	L1	L2	t	Kg
80X65	89	76	182	168	144	142	163	168	116	118	5	9.4
100X65	114	76	219	168	161	156	172	182	128	132	6	13.8
100X80	114	89	219	182	167	159	178	179	134	132	6	14.6
Size	Setting Gap1		Setting Gap2		Bolts-Main		Bolts-Branch					
	Min	Max	Min	Max	n- M x L	n- M x L						
80X65	47	82	54	88	3-M18x76		3-M18x76					
100X65	48	89	67	102	3-M18x76		3-M18x76					
100X80	59	95	65	98	3-M18x76		3-M18x76					

\* JIS K 6742: Unplasticized poly (vinyl chloride) (PVC-U) pipes for water supply or other Imperial pipes including PVC pipe, PE Pipe, ABS pipe and Steel pipe.



Qingdao Rockpower Machinery Co., Ltd.

1506, Sino-Commerce Building, 100, Middle Hongkong Road, Qingdao, China  
[www.rockpower.cn](http://www.rockpower.cn)

Tel.: (0532) 8592-1910 8592-1920 Fax.: (0532) 8592-1252  
 e-mail: [rockson@rockpower.cn](mailto:rockson@rockpower.cn)