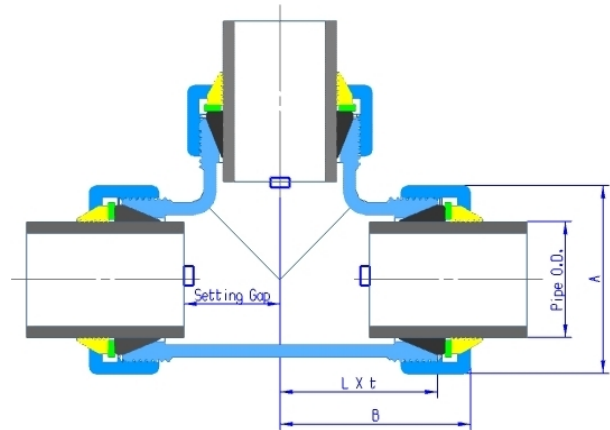


Junior Mechanical fittings

Standard series

Tee

Plain End to Plain End



Main Dimensions

Unit: mm

Size	Pipe O.D.		Coupling Overall		Body		Setting Gap		Weight
	SGP-PD *	HIVP * *	A	B	L	t	Min	Max	KG
15	24.7	22.0	49	49	40	3	16	22	0.5
20	30.2	26.0	55	54	44	3	19	28	0.6
25	37.0	32.0	66	60	50	4	22	32	0.9
32	45.7	42.0	73	68	57	4	27	33	1.2
40	52.6	48.0	80	74	63	4	30	37	1.6
50	64.5	60.0	96	84	72	5	36	42	2.6

* JWWA K 132: Polyethylene powder-coated steel pipe for water supply.

* * JIS K 6742: Unplasticized poly (vinyl chloride) (PVC-U) pipes for water supply or other Imperial pipes including PVC pipe, PE Pipe, ABS pipe and Steel pipe.



Qingdao Rockpower Machinery Co., Ltd.

1506, Sino-Commerce Building, 100, Middle Hongkong Road, Qingdao, China
www.rockpower.cn

Tel.: (0532) 8592-1910 8592-1920 Fax.: (0532) 8592-1252
 e-mail: rockson@rockpower.cn